

Small capacity air pump

C-5BN / 15H



Pressure Type

Built-in use

*No power plug included because it is designed for built-in use.

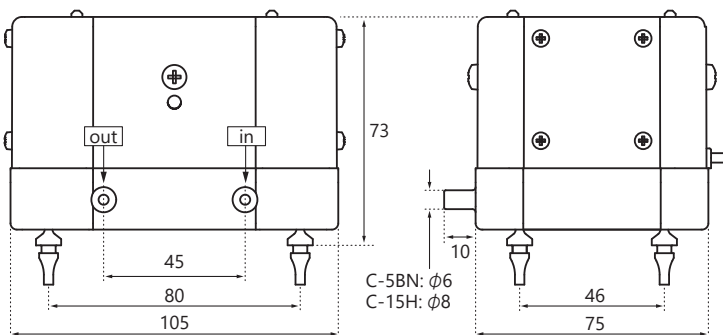
*Rubber-made legs are sharp-pointed. Not for self-standing installation.

Applications

- Air mat, air bed (continuous air exhaust)
- Air bearing
- For burner (air supply)
- Scientific & chemical instruments (analysis and agitation)

Dimensions

(unit : mm)

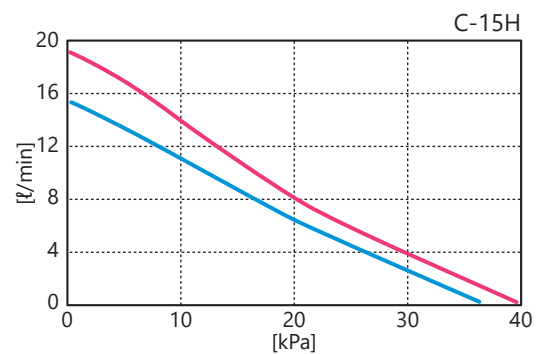
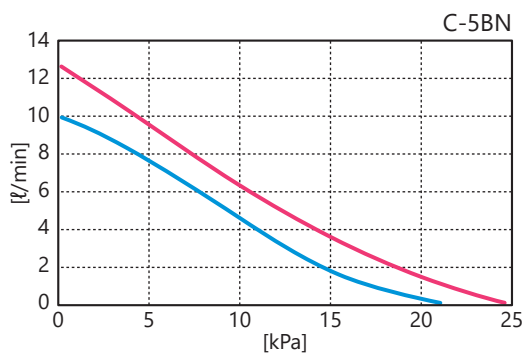


Specifications

	C-5BN		C-15H	
Rated voltage [V]	AC100 / 120 / 230			
Power frequency [Hz]	50	60	50	60
Max airflow volume [L/min]	10	13	15	19
Max power consumption [W]	8.5		11	
Sound level [dBA]	31	34	40.5	42.5
Weight [kg]	0.69			

*Sound data shown is with pump operating at 4kPa(C-5BN) / 5kPa(C-15H).

Performance Curve



* All characteristics values are only for reference, and are not guaranteed values.
* Note that the operating temperature for our pumps is 41°F(5°C) to 104°F(40°C).