

Small capacity air pump

KP-4020 / 5030 / 6035



*The nozzle position of images are examples.

Small capacity air pump

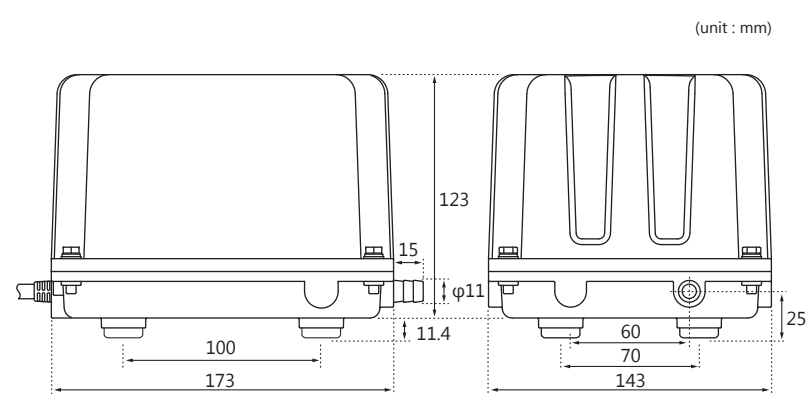
KP-4020S / 5030S / 6035S

- KP-4020,5030,6035 : Pressure
- KP-4020S,5030S,6035S : Pressure & vacuum
- Flexible body structure *Customization of nozzle position
- Hausing type (High noise reduction)
- Indoor use

Applications

- Air mat, Air bed (continuous air exhaust)
- Air bearing
- Air massager
- Scientific & chemical instruments (analysis and agitation)

Dimensions



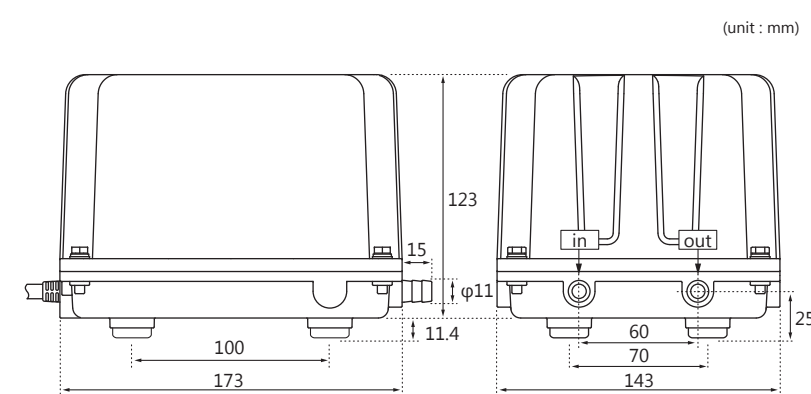
*The figure represents the standard configuration. Customization of nozzle position is available.

Specifications

	KP-4020		KP-5030		KP-6035				
Rated voltage [V]	AC100, 120, 230								
Power frequency [Hz]	50	60	120V 60	50	60	120V 60			
Max airflow volume [L/min]	37	43	44	45	49	50			
Max power consumption [W]	16	17	18	23	26	27	24	33	35
Sound level [dBA]	28	31	32	34	34	36			
Weight [kg]	3.8								

*Sound data shown is with pump operating at 10kPa and exhaust plumbed away from the unit.

Dimensions



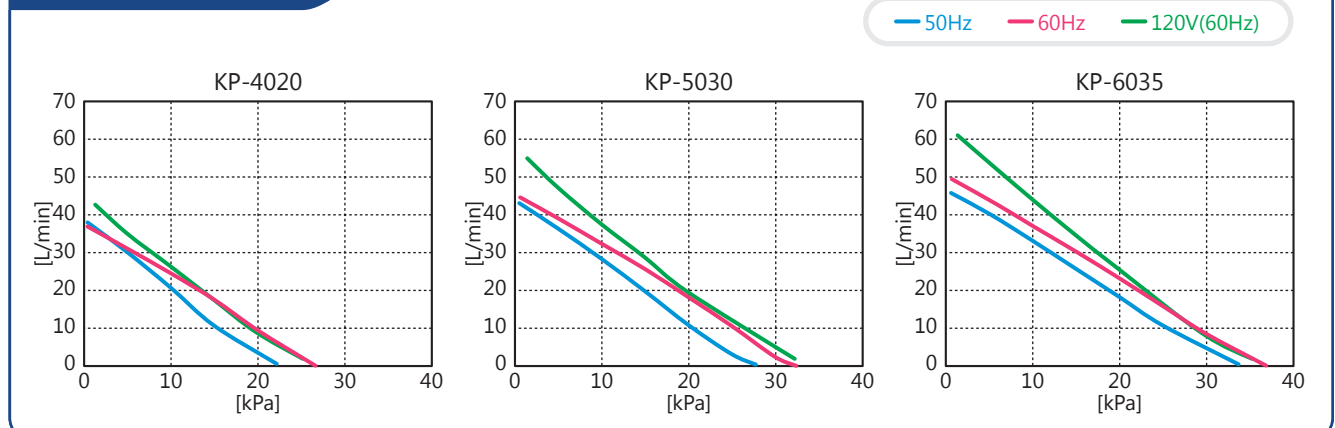
*The figure represents the standard configuration. Customization of nozzle position is available.

Specifications

	KP-4020S		KP-5030S		KP-6035S				
Rated voltage [V]	AC100, 120, 230								
Power frequency [Hz]	50	60	120V 60	50	60	120V 60			
Max airflow volume [L/min]	45	44	52	55	55	61	62		
	(-45)	(-43)	(-51)	(-54)	(-55)	(-60)	(-61)		
Max power consumption [W]	16	17	18	23	26	27	24	33	35
Sound level [dBA]	27.5	28.5	28	29	29.5	31.5	30		
Weight [kg]	3.8								

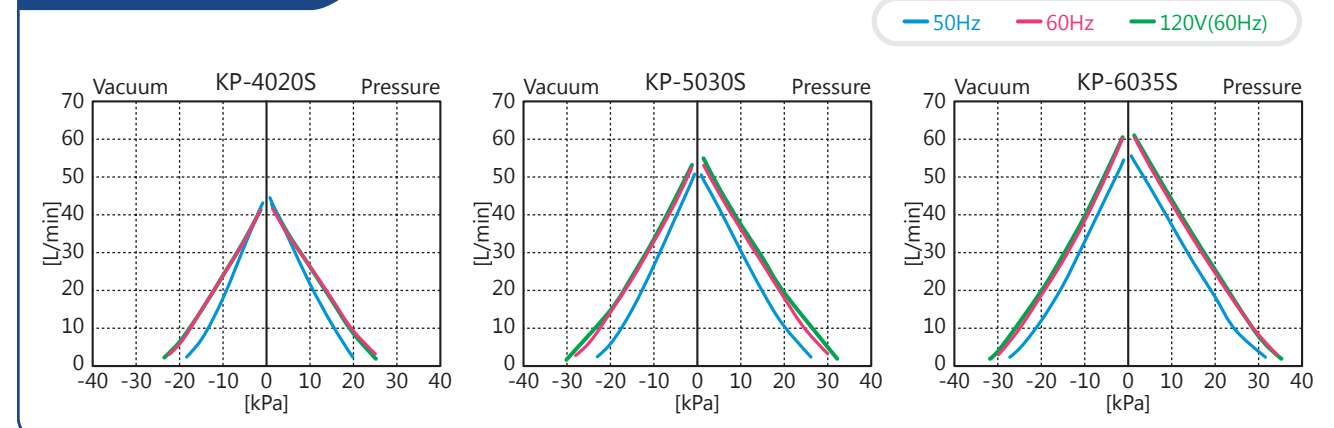
*The value in parentheses represents vacuum. *Sound data shown is with pump operating at 10kPa and exhaust plumbed away from the unit.

Performance Curve



* All characteristics values are only for reference, and are not guaranteed values.
* Note that the operating temperature for our pumps is 41°F(5°C) to 104°F(40°C).

Performance Curve



* All characteristics values are only for reference, and are not guaranteed values.
* Note that the operating temperature for our pumps is 41°F(5°C) to 104°F(40°C).